

Single diaphragm differential pressure gauge Model D101

Max. static pressure 25 bar

Nominal size: 100 mm (4"), 115 mm (4.5"), 150 mm (6")

ASME B40.100 / EN 837-1 / IS-3624

Accuracy: Class 2.5 (2.5%), optional 1.6 (1.6%)

Features

- Stainless steel case and wetted parts
- Static pressure 25 bar
- Protection IP65
- Dry or liquid filled

Ranges

0 ... 25 in H₂O up to 0 ... 35 psi
 0 ... 600 mmWC up to 0 ... 2.5 bar & kg/cm²
 0 ... 6 kPa up to 0 ... 250 kPa

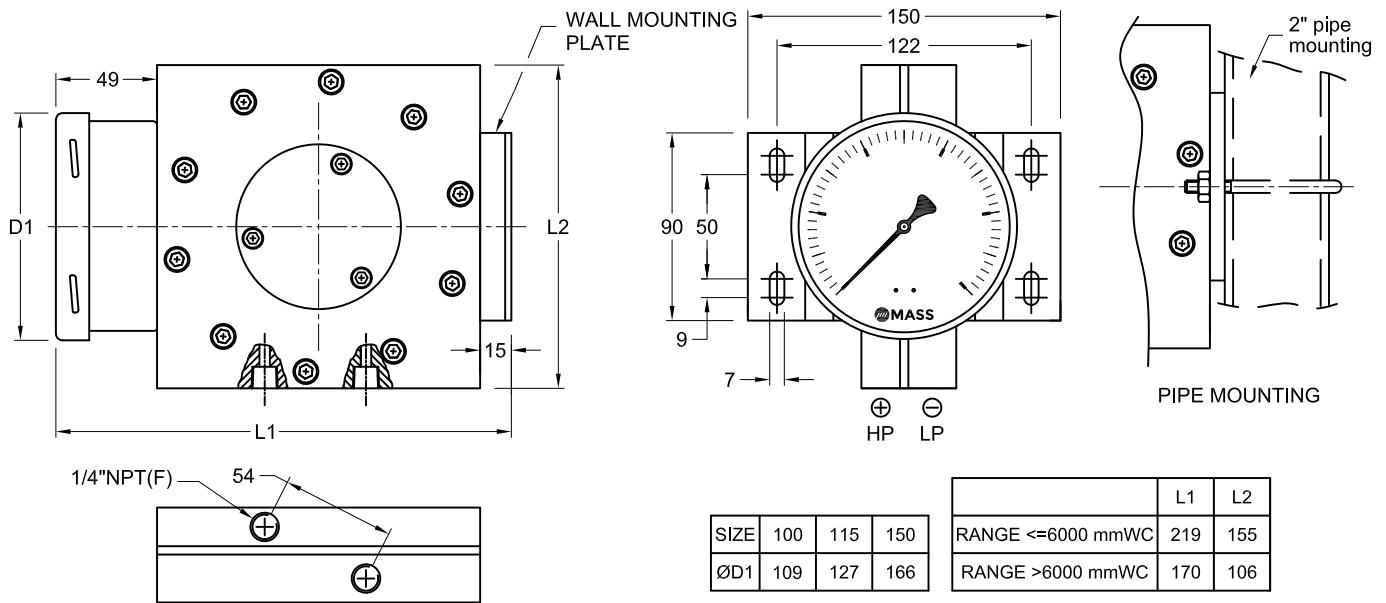


Applications

Chemical and petrochemical industry
 Machine and apparatus construction
 Food and beverage industry
 Pulp and paper industry

Technical specification	D101		
	100	115	150
Dial size [mm]	100	115	150
Construction	Cylindrical case with bayonet ring.		
Measuring principle	Diaphragm, safety design, solid front not required		
Range	600 1000 1600 2500 4000 5000		
	[mmWC] [kg/cm ² (or bar)]		
Max. static pressure [bar]	0,6 1 1.6 2.5		
Overload capability	25 bar; bidirectional only		
Pressure type	130 % F.S., short time		
Process connection	Differential		
Connection location	1/4" 1/2" NPT (F), 1/4" 3/8" 1/2" BSP / NPT (M), M20x1.5(M), others on request		
Material	Lower		
Pressure connection	Stainless steel 316		
Pressure chamber	Stainless steel 316, Viton-ring		
Measuring membrane	Stainless steel 316L		
Case/bayonet ring	Stainless steel 304, optional 316L		
Window	Laminated safety glass optional acrylic glass		
Dial	Aluminum, black markings on white background		
Pointer	Aluminum, black, optional Micrometer Adjustment		
Movement	Stainless steel 304		
Accuracy calibrated ascending	Class 2.5 (2.5 % FS.) Optional 1.6% FS.		
Permissible			
Ambient temperature	-40 ... 60 °C (-40 ... 140 °F)		
Medium temperature	Max. 100 °C (212 °F)		
Storage temperature	-40 ... 65 °C (-40 ... 150 °F)		
Effect	Max. 0,3 % / 10 K		
Protection	IP65		
Filling liquids	Glycerin, silicone, others on request		
Mounting	Wall mounting, optional 2" pipe mounting, others on request		
Weight dry / filled [kg]	8.1 / 8.4	8.2 / 8.6	8.4 / 9.0
Accessories, options	3 or 5 way remote or direct mounted manifolds		

General dimensions in mm



Order information

Size	Type	System material	Execution	Process Connection	Connection orientation	Range	Engineering units	Filling/Case material	Options
(100) 100 mm	D101	(S) Pressure chamber 316 and diaphragm 316L	(L) IP65	(02T) 1/4" NPT (F)	(L) Lower	0/ 600	mmWC	(=) Standard no filling	(NH) Tagging wired
(115) 115mm				(04T) 1/2" NPT (F)		0/ 1000		(GV) Silicone	(DA) Dial Marking
(150) 150mm				(04) 1/2" NPT (M)		0/ 1600		(GR) Glycerin	(CS) Dual Scale
				(03) 3/8" NPT (M)		0/ 2500	kg/cm ² (or bar)	(GX) Halocarbon	(OF) Oil free
				(02) 1/4" NPT (M)		0/ 0,6		(YW) Case material 316L	(MP) Micrometer pointer
				(15) 1/2" BSP (M)		0/ 1			(PD) Acrylic glass
				(14) 3/8" BSP (M)		0/ 1,6		(FW) Wall mounting bracket	
				(13) 1/4" BSP (M)		0/ 2,5		(TM) 2" pipe mounting	
				(16) M20x1.5(M)				(AL) Calibration 1.6% ¹⁾	
				Standard (02T) others through adaptor		Equivalent ranges in kPa, MPa, psi, bar and others units available		compound ranges on request	

1) For Ascending reading only, Consult Engineering and limited to certain ranges.

How to order

Size	Type	System material	Execution	Process connection	Connection orientation	Range	Engineering unit	Filling/Case material	Option
100	D101	S	L	02T	L	0/1	KG/CM2	=	NH

Precision Mass Products Pvt. Ltd.

Plot No.: 2306, G.I.D.C. Chhatral, Ta: Kalol, Dist.: Gandhinagar, Chhatral -382729, Gujarat, India.

Telephone: +91-2764 233681/82/83

Email: sales@precisionmass.com

Fax: +91-2764-233440

www.precisionmass.com

• North Zone : sales.delhi@precisionmass.com

• East zone : sales.kolkata@precisionmass.com

• West zone : sales.mumbai@precisionmass.com

• South zone : sales.chennai@precisionmass.com