

# Gauge valves / Gauge cock

## Model GV1/GV2/GV3

### Features

- As per industrial standards
- Stainless steel body
- Provision of optional vent hole for drain
- Provide complete isolation of the media.
- Perfect alignment for positive air tight shut-off
- Designed for mounting below test pressure instrument

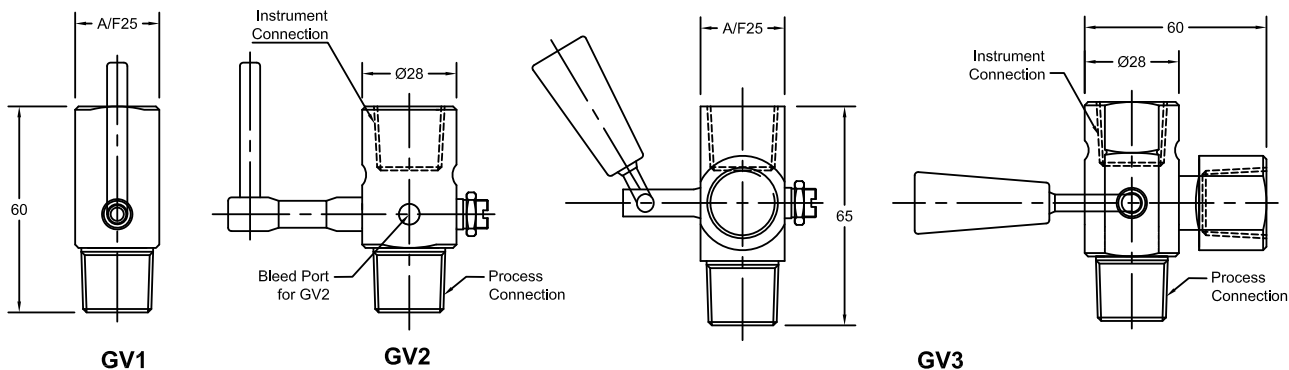
### Applications

Isolation of instrument from service  
 Liquid and vapour service  
 Process industry, Power plant  
 Chemical and Petrochemical Industries  
 Off shore and on shore processes  
 Oil and gas refineries



Permissible Pressure rating:  
 70 kg/cm<sup>2</sup> @ 100°C

### General dimensions in mm



### Order information

Type	Connection	Form <sup>1)</sup>	System material	Options
GV1 Gauge isolation valve	(04) 1/2" NPT	(M/F) Male X female	(C) SS 304	(NH) Tagging Stamped
GV2 Two way gauge cock	(14) 3/8" BSP	(F/F) Female X female	(S) SS 316	(OF) Oil free
GV3 Three way gauge cock	(15) 1/2" BSP Others on request		(L) SS 316L	(CD3) Material certificate for wetted parts

1) For Form, First character indicates Process connection and Second character indicates Instrument connection

### How to order

Type	Connection	Form	System material	Options
GV1	04	M/F	S	CD3

### Precision Mass Products Pvt. Ltd.

Plot No.: 2306, G.I.D.C. Chhatral, Ta: Kalol, Dist.: Gandhinagar,  
 Chhatral -382729, Gujarat, India.  
 Telephone: +91-2764 233681/82/83 Fax: +91-2764-233440  
 Email: sales@precisionmass.com www.precisionmass.com  
 All specifications are subject to change without notice.

• North Zone : sales.delhi@precisionmass.com  
 • East zone : sales.kolkata@precisionmass.com  
 • West zone : sales.mumbai@precisionmass.com  
 • South zone : sales.chennai@precisionmass.com  
 IN. GV1/GV2/GV3 Rev. B 28/01/2017