

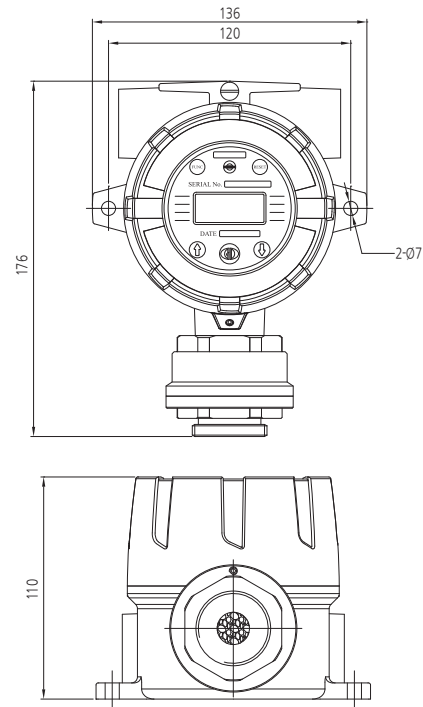
GTD-2000Tx Smart Diffusion Oxygen & Toxic Gas Detector

| Continuous detection of toxic gases and oxygen in explosion hazardous area with flame proof structure | Self diagnosis function with built-in Microprocessor | Excellent selectivity by adapting detection principle only for toxic gases & oxygen | Superior performance for detecting toxic gases below TLV | Multi functions and high quality with low cost of ownership | Built-in back light LCD or OLED display | Easy configuration of monitoring system by HART communication | Auto calibration and program setting with a magnet bar | 4-20mA (Current source or Sink) output signal | With the alarm unit - Normal - Green LED - Alarm - Red LED, Buzzer(95 dB) - Trouble - Yellow LED - Calibration and maintenance by one-man |

IMAGE



DIMENSION (Unit : mm)



ACCESSORIES



Cable Gland

GTL-100

Rain cover

Splash guard

Collecting-cone

HART Module

SPECIFICATION

※ Specifications are subject to be changed without prior notice.

| SMART & LOCAL DISPLAY TYPE OXYGEN & TOXIC GAS DETECTOR | | |
|--|---|--|
| Model | GTD-2000Tx | |
| Measuring gas | O ₂ | Toxic gases(CO, Cl ₂ , NH ₃ & etc) |
| Measuring type | Diffusion type | |
| Measuring method | Galvanic cell or Electrochemical cell | Electrochemical cell |
| Measuring range | Refer to Toxic Gas Measuring Range | |
| Response time | < 15sec / 90% scale | < 45sec / 90% scale |
| Accuracy | ±3% / Full scale | |
| Parameter control | Non intrusive control with a Magnet bar (calibration, maintenance) | |
| Operation mode display | 1-LED (Power) | |
| Measuring value display | LCD display (Built in back light 2-Line, 8 characters) / OLED Type (Option) | |
| Output signal | Analog : Measuring signal : 4-20mA DC Maintenance signal : 4mA DC Calibration signal : 3mA DC Fault signal : 0mA DC Digital : 2mA (HART 7, HART Device Description Language available, Option) | |
| Material | Housing : ALDC, SUS316(Optional) / Sensor : SUS316 | |
| Conduit connection | Standard : PF 3/4" Option : NPT 1/2", N | M25 x 1.5P |
| Mounting type | 2" Pole mount, Wall mount, Duct mount | |
| Operating temperature | -40°C ~ +80°C | |
| Operating humidity | 5 ~ 99%.RH (non-condensing) | |
| Dimensions | 136(W) x 176(H) x 110(D)mm | |
| Weight | 1.5kg | |

CERTIFICATION

| | | | |
|---|---------------------------------------|--------------|-------------------------------------|
| KCs | Ex tD A21 IP66 T85°C, Ex d IIC T6, T4 | ATEX / IECEx | Ex db IIC Gb T6, T4 |
| NEPSI | Ex d IIC T6 Gb | UL | Class I, Division 1, Groups A.B.C.D |
| KR / MED / ABS / BV / DNV / HART / SIL 2 / KC / CE / PESO / TRCU ex / CPA | | | Refer to website |