

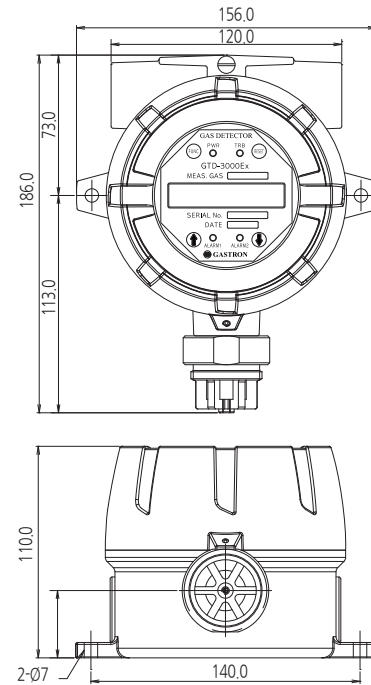
# GTD-3000Ex Intelligent Flammable Gas Detector

| Continuous detection of flammable gases in explosion hazardous area with flame proof structure | Self diagnosis function with built-in Microprocessor | Detection gas from low to high concentration owing to various detection principle | Stable quality and proved detection principle for service life | Built-in back light LCD or OLED display | Auto calibration and program setting with a magnet bar | 2-stage alarm, 1-trouble display and relay contact output | 4-20mA (Current source or Sink) output signal | Easy configuration of monitoring by RS-485 Modbus communication | With the alarm unit - Normal : Green LED - Alarm : Red LED, Buzzer(95 dB) - Trouble : Yellow LED | Calibration and maintenance by one-man |

## IMAGE



## DIMENSION (Unit : mm)



## ACCESSORIES



Cable Gland

GTL-100

Rain cover

Splash guard

Collecting-cone

RS-485 module

## SPECIFICATION

※ Specifications are subject to be changed without prior notice.

INTELLIGENT & LOCAL DISPLAY TYPE FLAMMABLE GAS DETECTOR			
Model	GTD-3000Ex		
	Flammable gases (LNG, LPG, H2, Methane, Butane & etc)		
Measuring gas	Diffusion type		
Measuring type	Catalytic cell	Hot wire semiconductor cell	Thermal conductivity cell
Measuring range	0-100% LEL	0-2000ppm	0-100% Vol
Response time	< 15sec / 90% scale		
Accuracy	±3% / Full scale		
Parameter control	Non intrusive control with a Magnet (calibration, maintenance, alarm setting)		
Operation mode display	4-LED (Power, 2-stage alarm, 1-trouble)		
Measuring value display	LCD display (Built in back light 2-Line, 16 characters) / OLED Type (Option)		
Alarm signal output	2A@30VDC, 0.5A@125VAC (resistive load) / 3-SPST relay contact(2stage alarm, 1 trouble)		
Output signal	Analog : Measuring signal : 4-20mA DC Maintenance signal : 3mA DC Calibration signal : 3mA DC Fault signal : 0mA DC Digital : RS-485 Modbus(Optional)		
	RS-485 data communication cable : 1 pair (UL2919 RS-485) / 1000m max		
Conduit connection	Standard : PF 3/4" Option : NPT 1/2", NPT3/4", M20 x 1.5P, M25 x 1.5P		
Mounting type	2" Pole mount, Wall mount, Duct mount		
Operating temperature	-20°C ~ +60°C		
Operating humidity	5 ~ 99%.RH (non-condensing)		
Dimensions	156(W) x 186(H) x 110(D)mm		
Weight	1.8kg		
CERTIFICATION			
KCs	Ex d IIC T6	NEPSI	Ex d IIC T5 Gb
CE / KC / CPA	Refer to website		