

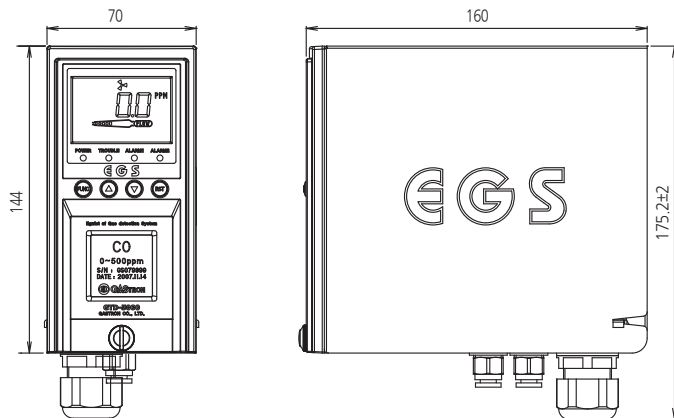
GTD-5000 Sampling Oxygen & Toxic Gas Detector

| Fast response of toxic gases & Oxygen leakage with a high efficient pump inside | Self diagnosis function with built-in Microprocessor | Easy replacement with a cartridge type sensor | Digital flow sensor to maintain regular flow rate | Stable quality and proved detection principle for service life | Superior performance for detecting toxic gases below TLV | Fine LCD display for showing various information | 4-digit digital gas concentration display | 4-20mA (Current source or Sink) output signal | Easy configuration of monitoring system by RS-485 Modbus communication or PoE | 2-stage alarm, 1-trouble display and relay contact output | 3-Wire Type | Calibration and maintenance by one-man |

IMAGE



DIMENSION (Unit : mm)



ACCESSORIES



Micro Filter



Mounting Bracket



PY-1000



Sensor Cartridge

SPECIFICATION

※ Specifications are subject to be changed without prior notice.

INTELLIGENT & SAMPLING TYPE OXYGEN & TOXIC GAS DETECTOR		
Model	GTD-5000	
Measuring gas	O ₂	Toxic gases(CO, Cl ₂ , NH ₃ & etc)
Measuring type	Auto Sampling type	
Measuring method	Galvanic cell or Electrochemical cell	Electrochemical cell
Measruing range	Refer to Toxic Gas Measuring Range	
Response time	< 15sec / 90% scale	< 45sec / 90% scale
Accuracy	±3% / Full scale	
Parameter control	Front switch (calibration, maintenance, alarm setting)	
Operation mode display	4-LED (Power, 2-stage alarm, 1-trouble)	
Measuring value display	LCD Display(4-Digit)	
Alarm signal output	2A@30VDC, 0.5A@125VAC (resistive load) / 3-SPST relay contact(2stage alarm, 1 trouble)	
Output signal	4 - 20mA DC RS-485 Modbus(Optional) / PoE(Power over Ethern)	
Sampling method	Diaphragm Pump	
Sampling line	OD 1/4" (Standard)	
Flow rate	0 ~ 1000 ml/min max	
Conduit connection	Cable gland(PG-16)	
Mounting type	Wall mount	
Operating temperature	-20°C ~ +60°C	
Operating humidity	5 to 99% RH (Non-condensing)	
Material	Front(Poly carbonate), Sides(Steel)	
Dimensions	Standard type : 70(W) × 144(H) × 160(D) mm	-1000) : 70(W) × 242.5(H) × 160(D) mm
Weight	Standard type : 2.5kg	-1000) : 4.05kg
NOTE 1	Current consumed by Polyzyler(PY1000, PY2000) Unit	
NOTE 2	DC 24V should be supplied if you want to use Pyrolyzer in case of using PoE power	
CERTIFICATION		
CE / CPA	Refer to website	